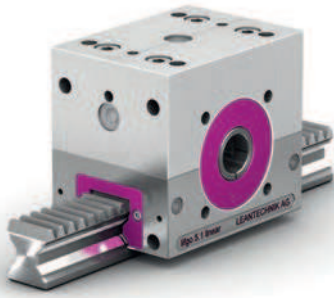

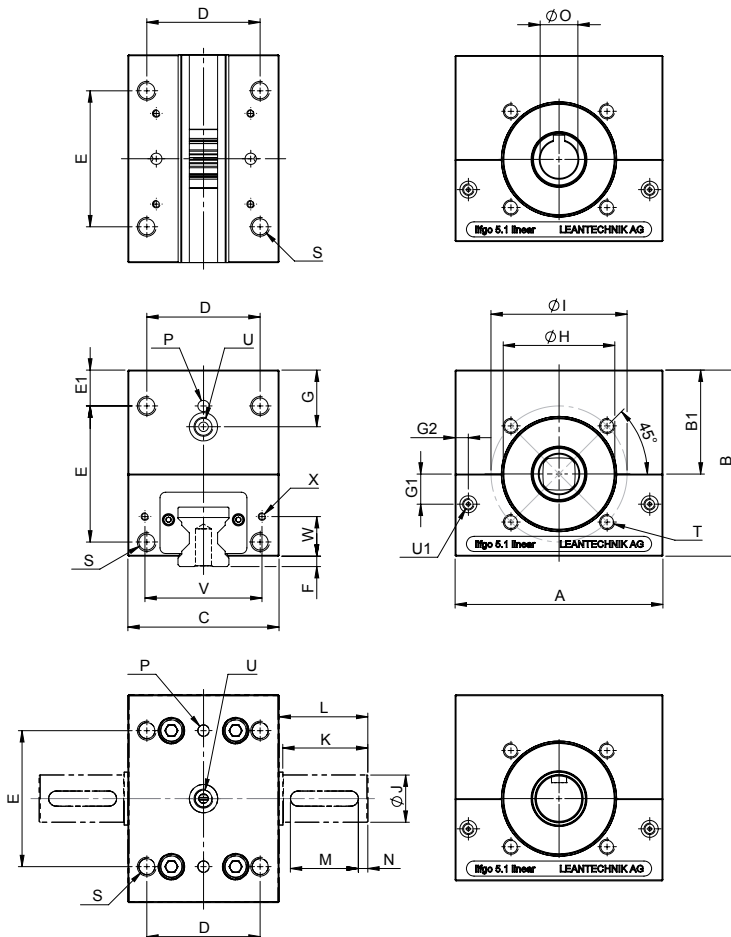


### 3.1.2.3 lifgo® linear 5.0 – 5.3 • Dimension sheet



 Make sure that the article number refers to the correct pinion shaft version.



! lifgo® linear is used for long stroke lengths, with a fixed gear rack.

! If the gearbox is fixed and the gear rack is freely moveable, then it can be reinforced with profiles.

lifgo® linear	Unit	5.0	5.1	5.3	
A	mm	80	110	180	
B	mm	71,5	98,5	161	
B1	mm	40	55	90	
C	mm	70	80	130	
D	mm	55	60	105	
E	mm	50	72	120	
E1	mm	15	19	30	
F	mm	3,5	5,5	5	
G	mm	26	30	55	
G1	mm	7,5	16	21,5	
G2	mm	7	7	13	
Centering flange (if used, remove sealing ring)	H	mm	∅ 38,5 H7 ↓2	∅ 59 H7 ↓3	∅ 92 H7 ↓3
I	mm		∅ 48	∅ 72	∅ 110
Key DIN 6885 P9	J	mm	∅ 14 h7	∅ 25 h7	∅ 42 h7
K	mm		30	45	60
L	mm		32	47	62
M	mm		25	36	50
N	mm		2	5	5
Key DIN 6885 P9	O	mm	∅ 10 H7	∅ 20 H7	∅ 35 H7
P	mm		∅ 6 H7 ↓10	∅ 6 H7 ↓10	∅ 6 H7 ↓10
S	mm		M8 ↓25 ∅ 6,8 through	M10 ↓25 ∅ 8,5 through	M12 ↓35 ∅ 10,2 through
T	mm		M6 ↓8	M8 ↓10	M10 ↓20
Lube hole	U	mm	M10x1 ↓10	M10x1 ↓10	M10x1 ↓10
Lube hole	U1	mm	M6 ↓5	M6 ↓5	M6 ↓5
V	mm		58	62	100
W	mm		18	21	43
X	mm		M4 ↓8	M4 ↓8	M4 ↓8
Weight PW	kg		1,20	2,95	13,25
Weight ZA 1	kg		1,31	3,30	15,10
Weight ZA 2	kg		1,35	3,47	15,76
Weight PFN	kg		1,25	2,92	13,46

Article number	5.0	5.1	5.3
lifgo® linear PVV	500 033	500 034	500 035
lifgo® linear ZA 1	500 037	500 038	500 039
lifgo® linear ZA 2	500 041	500 042	500 043
lifgo® linear PFN	500 045	500 046	500 047