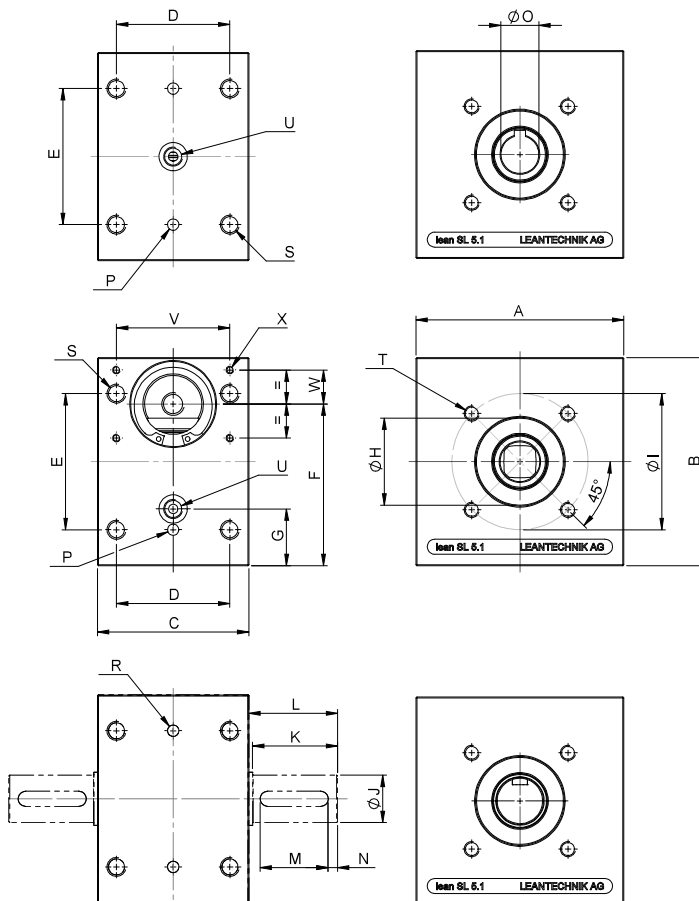


3.2.2 lean SL® gearboxes

3.2.2.1 lean SL® 5.0 – 5.3 • Dimension sheet



! Make sure that the article number refers to the correct pinion shaft version.



lean SL® gearboxes	Unit	SL 5.0	SL 5.1	SL 5.3	
A	mm	80	110	180	
B	mm	80	110	180	
C	mm	70	80	130	
D	mm	55	60	105	
E	mm	50	72	120	
F	mm	59	85,5	139,5	
G	mm	26	30	55	
Centering flange (if used, remove sealing ring)	H	mm	∅ 26 K6 ↓3	∅ 47 K6 ↓4	∅ 72 K6 ↓4
	I	mm	∅ 48	∅ 72	∅ 110
Key DIN 6885 P9	J	mm	∅ 14 h7	∅ 25 h7	∅ 42 h7
	K	mm	30	45	60
	L	mm	32	47	62
	M	mm	25	36	50
Key DIN 6885 P9	N	mm	2	5	5
	O	mm	∅ 10 H7	∅ 20 H7	∅ 35 H7
	P	mm	∅ 6 H7 ↓10	∅ 6 H7 ↓10	∅ 6 H7 ↓10
	R	mm	∅ 6 H7 ↓5	∅ 6 H7 ↓3	∅ 6 H7 ↓5
	S	mm	M8 ↓16 ∅ 6,8 through	M10 ↓20 ∅ 8,5 through	M12 ↓27 ∅ 10,2 through
Lube hole	T	mm	M6 ↓12	M8 ↓12	M10 ↓20
	U	mm	M10x1 ↓10	M10x1 ↓10	M10x1 ↓10
	V	mm	52	60	100
	W	mm	15	18	35
Gear rack protection	X	mm	M4 ↓6	M4 ↓8	M4 ↓8
Weight PW		kg	1,00	2,35	9,70
Weight ZA 1		kg	1,11	2,70	11,55
Weight ZA 2		kg	1,15	2,87	12,21
Weight PFN		kg	1,03	2,32	9,91

Article number	SL 5.0	SL 5.1	SL 5.3
lean SL® PW	500 129	500 130	500 131
lean SL® ZA 1	500 133	500 134	500 135
lean SL® ZA 2	500 137	500 138	500 139
lean SL® PFN	500 141	500 142	500 143